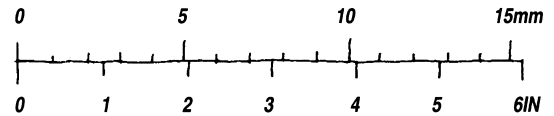
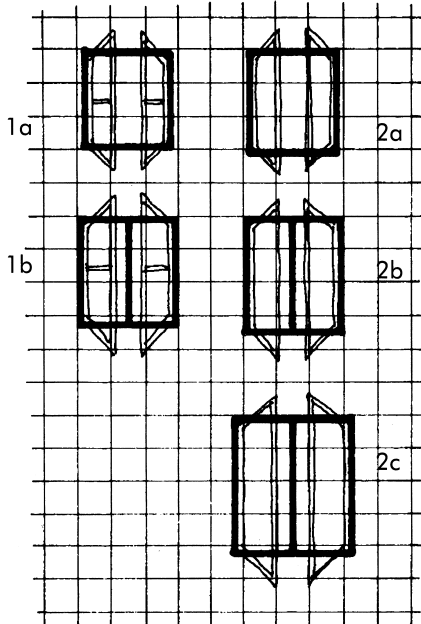




- Under current Building Regulations, single glazing is permissible provided that the window:wall ratio is within certain limits.
- Secondary glazing is a suitable alternative to double glazing.
- "Weatherstripping" will save heat energy.
- Softwood should be pressure treated with preservative.



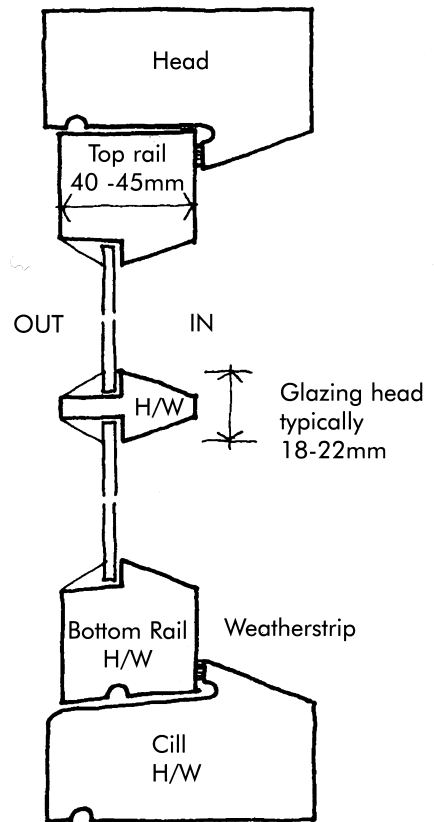
Glazing bars on Early Style



EARLY
Relative size 300 x 300mm squares
(1ft x 1ft)

MODERN

Mullions on larger types



H/W - for these components, a hardwood from sustainable sources is recommended

